

SICOM™ DMC T-DRIVE DISC SPECIFICATION / FORM

Name _____

Company _____
(if applicable)

Address _____

Postcode/ZIP _____ Country _____

Mobile _____ Phone _____

Email _____

Date filled out _____

Internal Use

Mail Order Ref. _____ PO Ref. _____

Disc: HPS Part No. _____ SICOM Part No. _____

Pads: HPS Part No. _____ SICOM Part No. _____



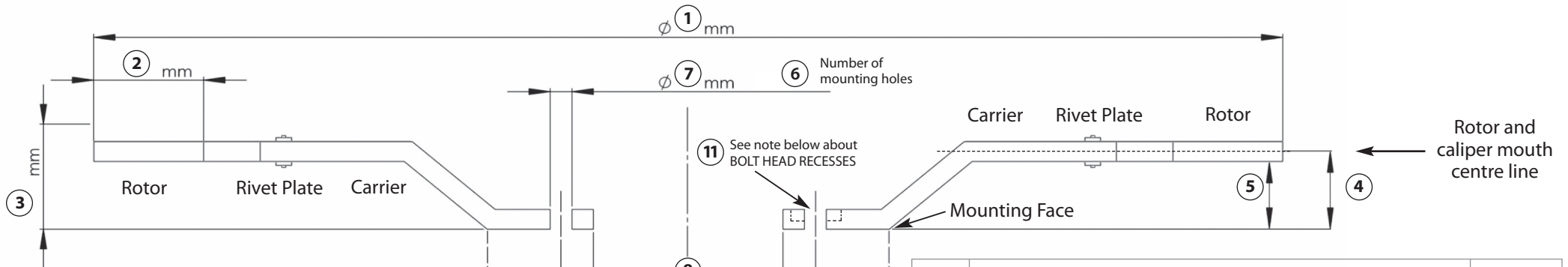
Harwood Performance Source Ltd
Derwent House • New Street • Alfreton
Derbyshire • DE55 7BP • United Kingdom

Tel: 01773 831122
Web: www.bikehps.com
Email: info@bikehps.com

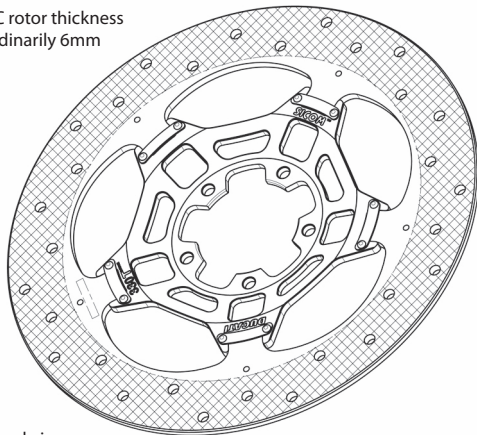
Make _____ Model/Name _____ Year of Manufacture _____

Or describe if special bike _____

ABS Y/N? _____ Notes _____



DMC rotor thickness is ordinarily 6mm



Example image
Detail of carrier and
number of rivet plates may vary

11 Some discs have BOLT HEAD RECESSES,
if required, please state here:
Depth _____ & Diameter _____

Disc Handing	Quantity Required
Right side (RH)	
Left side (LH)	

1	Total disc outer diameter	
2	Swept area/pad track width (measure to allow clearance between disc rivet plates, pad backing plate and/or caliper body)	
3	Total disc height (inc. 6mm rotor thickness)	
4	Offset (to rotor centre line)	
5	Dish (mounting face to rear rotor face)	
6	Number of mounting holes	
7	Diameter/size of mounting holes	
8	Centre bore/hole diameter	
9	Pitch Circle Diameter/PCD of mounting holes	
10	Outer Diameter of Rear Mounting Face	

Please enter measurements in millimetres.