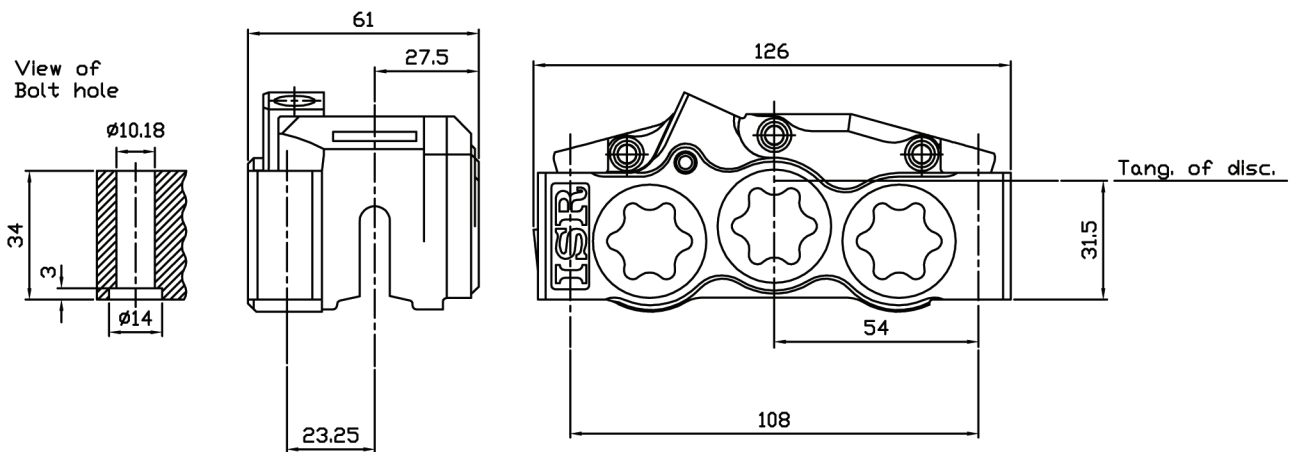


ISR

PART NUMBER : 22-034-OK (RH)
22-034-OL (LH)

22-034-OL



Technical data:

Piston diameter:	25mm (x6)
Piston material:	Tufram coated aluminium alloy
Pad type:	ISR 29-002 (x6)
Pad area:	20.9cm ²
Swept height of disc:	27mm
Disc size:	280-320mm
Disc thickness:	4.6-5.0mm
Hydraulic threads:	M10x1.25
Weight incl. pads:	0.58kg
Surface finish:	Clear anodised